

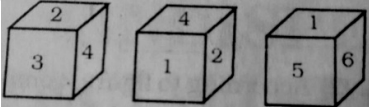
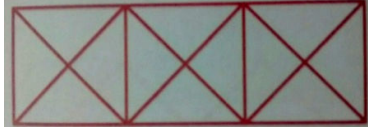
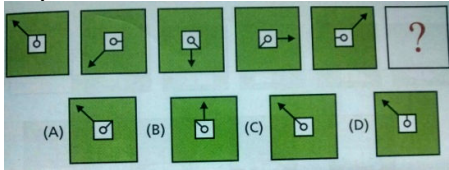
- 1) Fill the question tag?  
Stop that noise, ----- ?  
A) wont you? B) isn't you? C) will you? D) is you ?
- 2) Fill in the blank with correct word:  
Our soldier ----- the enemies attempt  
A) Foiled B) toiled C) Boiled D) filed
- 3) Fill in the blank with suitable article:  
He gave ----- one rupee coin ---- hour ago  
A) an,a B) an,an C) a,a D) a,an
- 4) Select the correct sentence:  
A) Neither Ravi nor mani has finished the work yet  
B) Neither Ravi nor mani have finished the work yet  
C) Neither Ravi nor mani had finished the work yet  
D) Neither Ravi nor mani finished the work yet.
- 5) Select the correct word:  
He never respects elders he is very -----  
A) Indict B) Imprudent C) Impudent D) reverent
- 6) Which one of the following is incorrect?  
A) Alga is plural. B) Bureaux is Pural.  
C) Crisis is singular. D) Larva is singular.
- 7) Select the plural from of "index"  
A) indexes B) indices C) Both 'a' and 'b' D) Only 'b'
- 8) Your argument are weighty, still they do not convince me  
A) simple B) compound C) Complex D) none
- 9) Pick out the odd man out  
A) What ever you do, do well  
B) He must have done his duty for he is a conscious man  
C) No one knows who he is  
D) It was unfortunate that you were alsent
- 10) Replace the British English word to correct American English equivalent "solicitor".  
A) barrister B) attorney C) solicitor D) none
- 11) Change the following noun into verb "Fright".  
A) Frightfully B) Frighting C) fright D) frighten
- 12) Find out the odd word.  
A) Investment B) Construction C) Dismiss D) Arrival
- 13) Fill in the blanks with appropriate preposition  
He responded ---- the ladies in a humorous speech. The boy immediately responded ---- a blow. He responded ---- his toast in a neat little speech.  
A) With,to, to B) to,for,for C) for ,with,to D) to, with,to
- 14) Identify the sentence pattern:  
The Americans have sent a rocket to mars.  
A) SVOA B) SVAO C) SVO D) SVCA
- 15) Match the synonyms:  
a) rebuked 1) shocked  
b) jolted 2) curled  
c) crouched 3) scolded  
d) confined 4) bound  
A) a-1 b-2 c-3 d-4 B) a-3 b-2 c-1 d-4  
C) a-1 b-3 c-2 d-4 D) a-3 b-1 c-2 d-4
- 16) Fill in the blank with correct word  
He ----- no promise of future prospect.  
A) holds out B) held out C) held up D) held over
- 17) Rajesh daubed his face with water colours.  
Choose the most appropriate Synonym of the underlined word?  
A) smeared B) wiped C) washed D) clouded
- 18) Select the correct tense form?  
Shakespeare has written dramas appealing to all people of all ages.  
A) present continuous B) simple present  
C) past perfect D) present perfect
- 19) Find out the verb  
A) friendly B) befriend C) friend D) friendship
- 20) Change the verb into adverb: Normal  
A) normalay B) normally C) normality D) none
- 21) Select the correct comparative form of the following Very few cities in india are as rich as mumbai  
A) Mumbai is richer than some other cities in India  
B) Mumbai is richer than any other cities in India  
C) Mumbai is richer than most other cities in India  
D) Mumbai is one of the richest cities in India
- 22) Match the following:  
a) give up 1) broke  
b) gave away 2) submit  
c) give in 3) have no hope  
d) give forth 4) publish  
A) a-3 b-1 c-2 d-4 B) a-3 b-2 c-1 d-4  
C) a-1 b-2 c-4 d-3 D) a-1 b-4 c-2 d-3
- 23) Choose the correct prefix for the root word – cure  
A) de--- B) mid--- C) mis--- D) sine---
- 24) "The cloud is my kin"  
Mention the figure of Speech  
A) Personification B) Metaphor  
C) Onomatopoeia D) Simile
- 25) Choose the correct prefix for the word:  
Natural  
A) preter B) circum C) non D) none
- 26) Choose the correct tag ,that completes the sentence  
She hardly speaks .....?  
A) doesn't she B) didn't she C) does she D) did she
- 27) Choose the correct tense?  
After I --- my work ,I went to bed .  
A) Has finished B) have finished  
C) had finished D) finished
- 28) Match the antonyms:  
a) Tugged 1) pushed  
b) aloft 2) showy  
c) Devour 3) low  
d) unpretentious 4) nibble  
A) a – 1 b – 4 c – 3 d – 2 B) a-4 b-1 c-2 d-3  
C) a-1 b-3 c-4 d-2 D) a-4 b-2 c- 1 d-3
- 29) Fill the blanks with suitable preposition?  
The cat is sleeping ----- the table.  
A) under B) in C) inside D) outside
- 30) Select the correct tense  
A) growing old is inevitable  
B) growing old were inevitable  
C) growing old are inevitable  
D) growing old will inevitable
- 31) Fill the appropriate question tag?  
People shouldn't be rude to one another,-----?  
A) shall they B) will they C) should they D) will they
- 32) Choose the correct homophone.  
He was an ----- scholar .The exam period is -----  
The rooms – tension made her anxious.  
A) imminent, eminent, imminent  
B) eminent, imminent, immanent  
C) eminent, eminent, imminent  
D) immanent, eminent, imminent
- 33) Pick out the sentence that is of pattern SV  
A) Prakash is a doctor B) The day was short  
C) He gave him a present  
D) Laughing and barking doesn't pay
- 34) Replace the underlined word with its equivalent American English word. Paraffin  
A) gas B) kerosene C) gasoline D) none
- 35) The present seems all dreary, the future very grim, your problems are perplexing and your chances rather slim as per these lines the problems are  
A) Perplexing B) perfect C) Passionate D) perpendicular
- 36) Don't prove yourself as a quitter though you are feeling sad and bitter ,but grit your teeth and bare it always keep your spirit high .How you have to keep your spirits always.  
A) low B) high C) either high or low D) Both high & low

- 37)** Match the sentences with correct tense form  
 a) She could not marry the person of her choice 1) simple past  
 b) It has been raining heavily 2) present perfect  
 c) Have you seen the recent film 3) past perfect  
 d) The train had left 4) present perfect  
 A) a-1 b-2 c-4 d-3 B) a-1 b-3 c-2 d-4  
 C) a-1 b-4 c-2 d-3 D) a-1 b-2 c-3 d-2
- 38)** Fill the the blank with infinitives:  
 It is unjust ---- the lands of others  
 A) to seize B) to be seized C) to be seizing D) to seizing
- 39)** I detest ----- in public places → fill with gerund  
 A) smoking B) smoked C) be smoking D) to smoke.
- 40)** In summer the days and nights are hot.  
 1 2 3 4  
 Spot the error  
 A) 1 B) 2 C) 3 D) 4
- 41)** Spot the error :  
Please include this as a postscript in this letter.  
 1 2 3 4  
 A) 2 B) 4 C) 3 D) 1
- 42)** Match the antonyms:  
 a) infallible 1) indigence  
 b) affluence 2) fact  
 c) fable 3) dubious  
 d) celibate 4) profligate  
 A) a-3 b-1 c-2 d-4 B) a-3 b-1 c-2 d-4  
 C) a-4 b-2 c-1 d-3 d) a-1 b-2 c-3 d-4
- 43)** The new word formed by blending 'binary' and 'digit' is----  
 A) bingit B) binary - d C) binary-digital D) bit
- 44)** The new word formed by blending smart phone and tablet  
 A) moblet B) palmtop C) phablet D) smartlet
- 45)** Fill in the blank with participle  
 ---- his abilities he should have done better  
 A) Having considered B) considering  
 C) Considered D) none of these
- 46)** Suitable word which adds the suffix ---- some  
 A) whole B) meddle C) glad D) all the three
- 47)** Match the synonyms:  
 a) siesta 1) unpleasant  
 b) inquisitiveness 2) sleep for a short while  
 c) jarring 3) eagerly  
 d) intrepid 4) fearless.  
 A) a-2 b-1 c-3 d-4 B) a-1 b-2 c-4 d-3  
 C) a-2 b-3 c-1 d-4 D) a-3 b-4 c-2 d-1
- 48)** Identify the sentences pattern  
 Science has made man's life comfortable these days  
 A) SVCA B) SVOCA C) SVIDOIA D) SVOA
- 49)** Find the correct positive degree form for the sentences  
 Naomi is not one of the clearest girls in the class.  
 A) Naomi is as clever as other girls of class  
 B) Some girls are cleverer than Naomi  
 C) Naomi is not so clever as some other girls of the class  
 D) none
- 50)** The flowers ---- select the correct voice  
 A) Throw away B) throws away  
 C) have been thrown away D) threw away
- 51)** In Feb – 5 2003, India's P.M. renamed which one of the metrological satellite as "Kalpana"  
 A) Metsat B) Edusat C) Edusat – 1 D) none
- 52)** Find the rhyming scheme.  
 You can start the count down ,you can take a last look  
 You can pass me my helmet from its plastic hook  
 A) ab B) ba C) aa D) none
- 53)** It's launch forth filament, filament, filament out of itself .Bring out the words of alliteration  
 A) forth – filament B) launch – filament  
 C) filament – filament D) forth- of
- 54)** "Appearances can be deceptive ". Name the figure of speech.  
 A) oxymoron B) metaphor C) similitude D) personification

- 55)** "The strong red wine of his mirth". Mention the figure of speech.  
 A) simile B) metaphor C) oxymoron D) repetition
- 56)** "I thought how paltry how vulgar". What a mean act". I refer to ----  
 A) Longfellow B) Emerson C) Kipling D) Lawrence
- 57)** Will no one tell me what she sings?  
 Perhaps the plaintive number flows.  
 The song was:  
 A) sad B) joyous C) neither D) either
- 58)** "Where words come out from the depth of truth where tireless striving stretches its arms towards perfection". These lines are from the poem.  
 A) Solitary uaper B) English words.  
 C) Manliness D) Where the mind is without fear.
- 59)** Identify the character of the line----  
 There is no power in the togue of man to alter me  
 A) Portia B) Shylock C) Antonio D) Bassanio
- 60)** In the senate house, the conspirators surround ceasar – was the first to stab him.  
 A) Brutus B) casca C) antony D) cassius
- 61)** The prince of morocco choose the ----  
 A) Silver casket B) Gold casket  
 C) lead casket D) Iron casket
- 62)** "I will overcome somebody" was written by  
 A) Guy caravan B) Zubin Mehta  
 C) Charles Tindley D) Johannes Brahms
- 63)** From where did the gaint see the most wonderful sight  
 A) in his terrace B) in the hall  
 C) Friend's house D) outside the window
- 64)** Match the lines with the poem  
 1) Betrays me back ,till the heart of me weeps to belong A) don't quit  
 2) And you want to smile , but you have sigh B) Solitary reaper  
 3) More welcome notes to weary band. C) snake  
 4) If you were not afraid , you would kill him D) piano  
 A) 1-d 2-a 3-b 4-c B) 1-a 2-b 3-c 4-d  
 C) 1-d 2-b 3-a 4-c D) 1-b 2-c 3-d 4-a
- 65)** Identify the patten  
 Success is failure turned inside out  
 A) personification B) apostrophe  
 C) oxymoron D) similitude
- 66)** A cheque of ---- was given to Hughie by Baron Hausbreg  
 A) A shilling B) Ten thousand pounds  
 C) Thousand pounds D) Ten shillings
- 67)** Adagio for string – beautiful piece of ----  
 A) Aaron Copland B) Samuel Barbar  
 C) Johannes brahms D) Karl Paulnack
- 68)** The story of my life – book of  
 A) Helen Keller B) Kalpana chawla  
 C) Nelson Mandela D) none
- 69)** Under the wide and starry sky, dig the grave and let me lie – words of  
 A) Archibald Lampman B) Elizabeth bagette Browning  
 C) Lawrence D) R.L.Stevenson
- 70)** Salim ali along with whom wrote the book 'hand book of the birds of india and Pakistan"  
 A) Gurbareh Dillon B) Irvin strassman  
 C) Dillon Ripley D) All the above
- 71)** Match the poet with nationality?  
 1) Lampman a) Nottingshrie  
 2) Lawrence b) Durham  
 3) Elizabeth Barrette c) American  
 4) Vincent Browning d) Canadian  
 A) 1-d 2-a 3-b 4-c B) 1-d 2-a 3-b 4-c  
 C) 1-c 2-b 3-a 4-d D) 1-c 2-a 3-b 4-d

- 72)** Match characters with the words:  
 1) Swami and sum a) Lalsingh  
 2) After the storm b) Nila  
 3) The neem tree c) Samuel  
 4) Farmer d) Kutty Mappilai  
 A) 1-c 2-b 3-a 4-d B) 1-a 2-b 3-c 4-d  
 C) 1-c 2-a 3-b 4-d D) 1-d 2-a 3-b 4-c
- 73)** Which one of these is not a work of Shakespeare  
 A) The Ballad of reading goal B) Coriolanus  
 C) Locrine D) Cymbeline
- 74)** Which of these lines belongs to Victorian era  
 A) It is the star to every wandering back.  
 B) More welcome notes to weary bands  
 C) Stop! Be silent for today  
 D) Footprints on the sand of time.
- 75)** Identify the poem in which this line occurs  
 "Remember they have eyes like ours that wake sleep ,and strength than can be won.  
 A) My native land – to india B) No men are foreign  
 C) The apology D) None
- 76)** Who wrote Bharathasindurashmi?  
 A) Tagore B) Lakshmi mukunthan  
 C) Deepa Agawal D) V.K.Gokak
- 77)** Match the poets with poem  
 a) Discovery 1) Judith Nicholls  
 b) Biking 2) Dipti Batia  
 c) Inclusion 3) Leslie Norris  
 d) A tiger in zoo 4) Gayatri Pahlajani  
 A) a-4 b-1 c-2 d-3 B) a-4 b-2 c-1 d-3  
 C) a-1 b-4 c-3 d-2 D) a-2 b-3 c-4 d-1
- 78)** In early times people believed that-----  
 A) Most birds died in winter  
 B) Birds flew away to warmer places  
 C) Birds moved from place to place when season's changed  
 D) Birds slept in the mud throughout the winter
- 79)** Warli painting belongs to which state?  
 A) Madya Pradesh B) Maharashtra  
 C) Chattisgrah D) Jarkhand
- 80)** Sangeet natak academy confers classical States to how many dance styles?  
 A) 8 B) 9 C) 10 D) 17
- 81)** Match folk art with state?  
 1) Jatra a) Maharashtra  
 2) Pavri Nach b) Bihar  
 3) Padayani c) Gujrat  
 4) Garba d) Kerala  
 A) 1-a 2-b 3-c 4-d B) 1-b 2-d 3-a 4-c  
 C) 1-d 2-c 3-b 4-a D) 1-b 2-a 3-d 4-c
- 82)** Whose work is "Annuciation"  
 A) Virgil B) Botticelli C) Bellini D) Angerstein
- 83)** "Garadi" is folk art of—  
 A) Mizoram B) Puducherry C) Andra Pradesh D)Tamil nadu
- 84)** Therukoothu is usually performed between the months of ---  
 A) April and September B) October and December  
 C) March and July D) none of these
- 85)** Craving for the beautiful and fond past!  
 Is the theme of the works-----  
 A) Bat B) The mark of Vishnu C) Snake D) The piano
- 86)** Match the poets with the works?  
 1) Annie louise walker a) Far from the madding word  
 2) Thomas Hardy b) A Canadian heroine  
 3) Rabindranath Tagore c) Dyava Prithvi  
 4) V.K.Gokak d) Ghare – baire  
 A) 1-b 2-a 3-d 4-c B) 1-a 2-b 3-c 4-d  
 C) 1-b 2-d 3-a 4-c D) 1-d 2-a 3-b 4-c
- 87)** "My land and My People" is the autobiography of ----  
 A) Adolf hitter B) Bill Clinton C) Mandela D) Dalai lama
- 88)** Match the words with authors  
 1) My story - a) My autobiography  
 2) Majya Jalmachi chittrakatha - b) Shanthabai Kamble  
 3) Agatha Christie – c) kamala das  
 A)1-c 2-b 3-a B)1-a 2-c 3-b C)1-a 2-b 3-c D) 1-b 2-a 3-c
- 89)** Nelson Mandela was elected as president in 1994 from which party?  
 A) African Republic party  
 B) African labour party  
 C) African national socialist party  
 D) African national congress
- 90)** Abdul kalam's "Vision for the nation" was written before which incident?  
 A) Nuclear test 1974  
 B) Integrated guided missile development programme  
 C) Nomination of kalam as president of India  
 D) Nuclear test, 1998
- 91)** Match the story with author  
 1) Lottery ticket a) O' henry  
 2) The last leaf b) Anton Chekhov  
 3) Open window c) Tagore  
 4) Holiday d) Hector hugh munro,saki  
 A) 1-b 2-a 3-d 4-c B) 1-a 2-b 3- d 4-c  
 C) 1-b 2-a 3-c 4-d D) 1-a 2-b 3-c 4-d
- 92)** Identify the nationality of the story? " The last leaf"  
 A) American B) Indian C) England D) Zimbabwe
- 93)** The monolith yaanaimalai looks like an elephant only when it is viewed from  
 A) South – east direction B) South – west direction  
 C) North – east direction D) North – west direction
- 94)** Identify the author of the work  
 "You can't be that, no you can't be that"  
 A) Brian Patten B) Hope spencer  
 C) Atushi Despande D) Ruskin bond
- 95)** Match the following  
 1) Lalit Kala Academy a) Ravishankar  
 2) Kathak b) New Delhi  
 3) Sitar c) Birju Maharaj  
 4) Flute d) T.R.Mahaligam  
 A) 1-b 2-a 3-c 4-d B) 1-b 2-d 3-a 4-c  
 C) 1-a 2-d 3-c 4-d D) 1-b 2-c 3-a 4-d
- 96)** "There is more than one way to do a thing" is a line from the work?  
 A) The ant later and dassie B) The sun beam  
 C) Swami and Sum D) Farmer
- 97)** "If you have tears prepare to shed them now" Identify the character of the line  
 A) Brutus B) Antony C) Portia D) Shylock
- 98)** The sun beam is adapted from-----  
 A) Tales of Tendai Grandmother  
 B) Curiouser and Curiouser  
 C) Malgudi days  
 D) None
- 99)** Identify the character of the line---  
 The evils men do lives after them.  
 A) Brutus B) Antonio C) Antony D) Shylock
- 100)** Identify the work of Guy de Maupassant  
 A) Two friends B) The necklace C) Both D) None

- 101)** 13 year old Malavath Purna youngest woman to scale Everest belongs to  
13 வயது மாலாவத் பூரணா எவரெஸ்ட் சிகரம் ஏறிய உலகின் மிக இளம் வயது பெண் எந்த மாநிலத்தை சேர்ந்தவர்?  
A) Andhra Pradesh B) Tamil Nadu  
C) Karnataka D) Bihar
- 102)** India's first transgender college principal Manobi Bando Padyopadhyay of Krishnagar Women's college in முதல் திருநங்கை கல்லூரி முதல்வர் மனாபி பந்தோபாத்யாய் எந்த மாநிலத்தின் கிரிஷ்நகர் பெண்கள் கல்லூரி முதல்வர்.  
A) Bihar B) West Bengal C) Gujarat D) UP
- 103)** The Government of India set up the Central Bureau of Investigation (CBI) in இந்திய அரசாங்கம் எந்த ஆண்டில் மத்திய புலனாய்வு துறையை அமைத்தது?  
A) 1973 B) 1983 C) 1963 D) 1993
- 104)** Which of the following constitutional amendments makes that total number of ministers including P.M. in the Council of Ministers shall not exceed 15% of total number of members of the House of People?  
A) 90<sup>th</sup> B) 91<sup>st</sup> C) 92<sup>nd</sup> D) 93<sup>rd</sup>  
எந்த அரசியல் சீர்திருத்த சட்டம், அமைச்சரவையின் எண்ணிக்கை, பிரதமர் உட்பட மக்களவையில் 15% மீறக்கூடாது என்று குறிப்பிடுகின்றது?  
A) 90 வது B) 91 வது C) 92வது D) 93வது
- 105)** What is the maximum number of candidates in a constituency, for which elections can be conducted via the Electronic Voting Machines (EVM) in India?  
A) 32 B) 16 C) 72 D) 64
- 106)** Deficiency of vitamin D causes  
A) Nyctalopia B) Xerophthalmia  
C) Ostemalacia D) Pellagra  
வைட்டமின் 'D' குறைவினால் உண்டாகும் நோய்  
A) நிக்டாலோப்பியா B) சிராப்தால்மியா  
C) ஆஸ்டியோமலேசியா D) பெல்லாக்ரா
- 107)** Thiruvekha is / திரு வெஃகா என்பது  
A) Tindivanam B) Thiruverkadu  
C) Kanchipuram D) Srivilliputhur
- 108)**  
a) Silver falls 1. Tirunelveli  
b) Thirparappu falls 2. Theni  
c) Suruli falls 3. Dindigul  
d) Agasthiyar falls 4. Kanniyakumari  
தமிழ்நாடு நீர்வீழ்ச்சி இருப்பிடம்/ மாவட்டங்கள்  
a) வெள்ளி நீர்வீழ்ச்சி 1. திருநெல்வேலி  
b) திற்பரப்பு நீர்வீழ்ச்சி 2. தேனி  
c) சுருளி நீர்வீழ்ச்சி 3. திண்டுக்கல்  
d) அகஸ்தியர் நீர்வீழ்ச்சி 4. கன்னியாகுமரி
- |    | a | b | c | d |
|----|---|---|---|---|
| A) | 1 | 3 | 2 | 4 |
| B) | 2 | 1 | 3 | 4 |
| C) | 3 | 4 | 2 | 1 |
| D) | 4 | 3 | 1 | 2 |
- 109)** Which gland is called master gland because of the multiplicity of its function controlling many of the other endocrine glands?  
A) Thyroid B) Pineal gland  
C) Pituitary D) Thymus  
பல்வேறு நாளமில்லாச் சுரப்பிகளைக் கட்டுப்படுத்தும் வண்ணம் பல்வகையான செயல்பாடுகளைக் கொண்டிருப்பதன் அடிப்படையில் 'தலைமைச் சுரப்பி' என அழைக்கப்படுகிறது  
A) தைராய்டு B) பினியல் சுரப்பி  
C) பிட்யூட்டரி D) தைமஸ்
- 110)** The style in which Tamil and Sanskrit mixed is called are  
A) Malayalam B) Creyole  
C) Manippravalam D) Thulu  
தமிழும் வடமொழியும் கலந்து எழுதப்பெற்று நடையின் பெயர் என்ன?

- 111)** Which of the following is correctly matched?  
A) Thomas Munro - Permanent Settlement  
B) Warren Hastings - Ryotwari System  
C) Wellesley - Subsidiary System  
D) Cornwallis - Regulating Act  
பின்வருவனவற்றுள் எது சரியாகப் பொருந்துகிறது?  
A) தாமஸ் மன்றோ - நிரந்தர நிலவரித்திட்டம்  
B) வாரன் ஹேஸ்டிங்க்ஸ் - இரயத்துவாரி முறை  
C) வெல்லெஸ்லி - துணைப்படைத் திட்டம்  
D) கார்னவாலிஸ் - ஒழுங்குமுறைச் சட்டம்
- 112)** LIST - I LIST - II  
A) Insecticide 1) Bordeaux Mixture  
B) Rodenticide 2) Aureomycin  
C) Fungicide 3) Endosulphan  
D) Bactericide 4) Thallium Sulphate  
5) Atrazine  
LIST - I LIST - II  
A) பூச்சிக்கொல்லி 1) போர்டாக்ஸ்கலவை  
B) எலிக்கொல்லி 2) ஆரியோமைசின்  
C) பூஞ்சைக்கொல்லி 3) எண்டோசல்பான்  
D) பாக்டீரியாக்கொல்லி 4) தேலியம் சல்பேட்  
5) அட்ரசைன்  
a) A-1, B-2, C-5, D-4 b) A-2, B-3, C-4, D-5  
c) A-3, B-4, C-1, D-2 d) A-4, B-1, C-2, D-3
- 113)** X, U, S, P, N, K, ?  
A) I B) M C) L D) Q
- 114)** 162, 54, 18, 6, ?  
A) 1 B) 2 C) 3 D) 4
- 115)** Below the three different positions of a die are given when 3 is on the top of this die then which number will be in the bottom?  
ஒரு பகடையின் மூன்று வெவ்வேறு நிலைகள் கிழே தரப்பட்டுள்ளன. இப்பகடையில் மூன்று மேலே இருந்தால் எந்த எண் கிழே இருக்கும்  
  
A) 1 B) 2 C) 4 D) 6
- 116)** How many triangles are visible in the following diagram?  
கீழ்க்கண்ட படத்தில் எத்தனை முக்கோணங்கள் தெரிகின்றன?  
  
A) 26 B) 28 C) 30 D) 32
- 117)**  

- 118)** Histogram is useful to determine graphically the value of  
A) mean B) median C) mode D) all  
பரவல் செவ்வகப்படம் என்ற வரைபடத்தின் மூலம் இதன் மதிப்பை கணக்கிடலாம்  
A) சராசரி B) இடைநிலை C) முகடு D) அனைத்தும்
- 119)** Who won Stockholm water Prize- 2015,  
ஸ்டாக் ஹோம் தண்ணீர் விருது - 2015 யாருக்கு வழங்கப்பட்டது.  
A) Rajendra Singh B) Mike Pandey  
C) Medha Patkar D) Sunderlal Bahuguna
- 120)** According to Inter Parliamentary union (IPU) in which country around 60% of women represents in Parliament.  
பாராளு மன்றங்களுக்கிடையேயான கழகத்தின் (IPU) படி எந்த நாட்டில் 60% மேல் பாராளுமன்றத்தில் பெண்கள் உள்ளனர்.  
A) France B) Norway C) Rwanda D) Sweden

- 121) So far how many time Australia won the ICC World Cup Cricket  
A) 2 B) 3 C) 4 D) 5
- 122) In January who was appointed as the Chief Justice of Bangladesh.  
பங்காளாதேவின் உச்ச நீதி மன்ற தலைமை நீதிபதியாக சனவரி மாதம் யார் நியமிக்கப்பட்டது  
A) Surendra Kumar Sinha B) A.S. Kiran Kumar  
C) Muzammel Hossain D) Kairul Haque
- 123) Miss Universe 2015 Paulina Vega belongs to.  
2015 பிரபஞ்ச அழகி பவுலினா வேகா எந்த நாட்டைச் சேர்ந்தவர்.  
A) USA B) Columbia C) Venezuela D) Canada
- 124) Which whom Leander paes of India paired to with mixed doubles in Australian open 2015.  
2015. - ஆஸ்திரேலிய ஓபன் டென்னிஸ் கலப்பின இரட்டையர் பட்டத்தை வியான்டர் பெயஸ் யாருடன் சோடி சேர்ந்து வென்றார்?  
A) Cara black/ காரா பிளாக்  
B) Martina Hingis/ மார்டினா ஹிங்கிஸ்  
C) Sania Mirza / சானியா மிர்ஸா  
D) Serena Williams / செரினா வில்லியம்ஸ்
- 125) Which is in Correct? எது தவறு?  
A) Chandrayaan-1 - Oct.22 2008 - PSLV- C11  
B) Mangalyaan(MoM) - Nov.5 2013 - PSLV-C25  
C) GSAT- 14 - Jan.5 2014- GSLV-D5  
D) IRNSS-IC - Mar.28 2015- PSLV-C27
- 126) A and B Can do a piece of work in 30 days, while B and C Can do the same. Work in 24 days. C and A in 20 days. In what time can A alone do it?  
A மற்றும் B ஒரு வேலையை 30 நாட்களிலும்  
B மற்றும் C அதே வேலையை 24 நாட்களிலும் முடிப்பர். C மற்றும் 20 நாட்கள் முடிப்பர். எனில் A மட்டும் இந்த வேலையை எத்தனை நாட்களில் முடிப்பர்  
A) 30 days B) 48 days C) 36 days D) 45 days
- 127) A wheel makes 1000 revolutions in covering a distance of 88m the radius of the wheel is  
ஒரு சக்கரம் 1000 முறை சுற்றியதில் 88 மீ தூரத்தைக் கடந்தால், அச்சக்கரத்தின் ஆரம் என்ன?  
A) 7cm B) 14cm C) 7mm D) 14mm
- 128) கீழ்க்கண்ட எண்களில் பொருந்தாததைக் கண்டு பிடி.  
Find the odd man out.  
A) 5688 B) 8396 C) 7263 D) 5157
- 129) ஒரு வரிசையில் A என்பவர் இடப்பக்கத்திலிருந்து 7 வது ஆளாகவும், B என்பவர் வலப்புறத்திலிருந்து 9வது ஆளாகவும் இருக்கிறார்கள் இருவரும் தங்கள் இடங்களை மாற்றிக் கொள்கின்றனர் தற்போது A வலப்புறத்திலிருந்து 11வது ஆளாக உள்ளார். வரிசையில் மொத்தம் எத்தனை பேர்?  
In a row, "A" is 7th from the left and "B" is 9th from the right. Both of them interchange their positions and thus "A" becomes 11th from the left. How many people are there in that row?  
A) 18 B) 19 C) 20 D) 21
- 130) If A is 25% of B and B is 40% of C then what Percentage of A is C?  
A) 250% B) 500% C) 600% D) 1000%
- 131) A man walks 1km towards east and then he turns South and walks 5km Again he turns East and walks 2km after this he turns north and walks 9km Now, how far is he from his starting Point?  
ஒரு மனிதன் கிழக்கு நோக்கி 1கி.மீ நடக்கிறான் பிறகு தெற்கு நோக்கி திரும்பி 5கி.மீ நடக்கிறார் பிறகு கிழக்கு நோக்கி திரும்பி 2கி.மீ நடக்கிறார் பிறகு வடக்கு நோக்கி 9 கி.மீ நடக்கிறார் தற்போது கிளம்பிய இடத்திலிருந்து எவ்வளவு தூரத்தில் இருக்கிறார்.  
A) 3km B) 4km C) 5km D) 7km

- 132) A Sum of money lent out at simple interest basis amounts to Rs.66000 in 3 years and Rs.72000 in 5 years. The sum lent is  
ஒரு தொகையை தனிவட்டியில் வட்டிக்கு விட்டதில் முன்று ஆண்டுகளில் ரூ.66000 ஆகவும் ஐந்து ஆண்டுகளில் ரூ.72000 ஆகவும் ஆனால் வட்டிக்கு விட்ட தொகை எவ்வளவு?  
A) 60000 B) 50000 C) 57000 D) 59000
- 133) Two number are in the ratio 3:4 and the product of their LCM and HCF is 10,800 The sum of the numbers is  
இரண்டு எண்கள் 3:4 என்ற விகிதத்தில் உள்ளன. அவைகளின் மீ.சி.ம மற்றும் மீ.பெ.வ இவைகளின் பெருக்கற்பலன் 10800 எனில் அவ்விரு எண்களின் கூடுதல் என்ன?  
A) 180 B) 210 C) 225 D) 240
- 134)  $\frac{1}{\sqrt{2+1}} + \frac{1}{\sqrt{3+\sqrt{2}}} + \frac{1}{\sqrt{4+\sqrt{3}}} + \dots + \frac{1}{\sqrt{9+\sqrt{8}}} =$   
A) 2 B) 4 C) 6 D) 7
- 135) What is the largest number by which when 2109, 2790 and 3471 are divided then 1, 2, and 3 are obtained as remainders respectively  
எந்த மிகப்பெரிய எண்ணால் 2109, 2790. மற்றும் 3471 ஐ வகுத்தால் மீதிகள் முறையே 1, 2 மற்றும் 3 வரும்?  
A) 38 B) 48 C) 58 D) 68
- 136) On selling 12 note books, a seller makes a profit equal to the. Selling price of 4 note books, what is his gain percent?  
ஒரு வியாபாரி 12 நோட்டுகளை விற்றதில் 4 நோட்டுகளின் விற்பனை விலையை லாபமாக பெற்றார் எனில் சதவீதம் எவ்வளவு?  
A) 20% B) 30% C) 40% D) 50%
- 137) அப்பாவின் தற்போது வயது மகள் கோபியின் தற்போதைய வயதின் வர்க்கத்திற்கு சமம்.  
5 வருடங்களுக்குப் பின் தந்தையின் வயது அப்போதைய கோபியின் வயதைப் போல் மூன்று மடங்காக இருக்கும். எனில் தற்போது தந்தை, மகளின் வயதின் கூடுதல் என்ன?  
The present age of father is equal to square of her daughter Gobi's age. After 5 years fathers age will be thrice his daughters age at that time. What is the sum of their present ages?  
A) 36 B) 41 C) 25 D) 30
- 138) The price of the oil is decreased by 20% If the expenditure on oil is not decreasing the ratio of the original consumption to the new consumption is  
எண்ணெயின் விலை 20% குறைக்கப்படுகிறது. எண்ணெய்க்கான செலவைத் குறைக்க வில்லையெனில் பழைய நுகர்வுக்கும், புதிய நுகர்வுக்கும் உள்ள விகிதம் என்ன?  
A) 3:4 B) 4:5 C) 2:3 D) 1:2
- 139) ஒரு குடும்பத்தில் ஏற்பட்ட மொத்த செலவீனம் ரூ.10,800 மற்றும் உணவுக்காக செலவிடப்பட்ட தொகை ரூ.4500 எனில், வட்ட விளக்கப்படத்தில் இதை குறிப்பிட வரையாகையின் மதிப்பானது  
The total expenditure of a family is Rs.10,800 and they are spending Rs.4500, for food, Then to draw a pie diagram the degree value is  
A) 100 B) 120 C) 130 D) 150
- 140) ஒரு அலுவலர் அடிப்படைச் சம்பளம் 32000-850-44750 என நிர்ணயிக்கப்பட்டுள்ளது. அவர் பணிக்காலத்தில் எத்தனையாவது ஆண்டில் அதிக பட்ச ஊதியம் பெறுவார்? / If an office clerk is fixed in the pay scale 3200 - 85 - 4900, when will he reach his maximum?  
A) 15 B) 17 C) 19 D) 20
- 141) Which one of the following is incorrect about 16<sup>th</sup> Lok Sabha (2014) Election. கீழ்க்கண்டவற்றுள் எது 16 வது (2014) மக்களவைத் தேர்தல் குறித்து தவறானது?  
I) BJP = 282 seats  
II) INC = 54 seats  
III) AIADMK = 37 seats  
A) I Only B) II Only C) III Only D) All are correct only

- 142) உலகில் எந்த நாடு முழுமையாக பிளாஸ்டிக் பல்படி நோட்டுக்களை புழக்கத்தில் விட்டுள்ளது.  
Which is the first country completely switched to polymer bank notes.  
A) USA B) Norway  
C) Sweden D) Australia
- 143) எந்த நாட்டு கிரிக்கெட் வீரர் தன்னுடைய மகளுக்கு இந்தியா என்ற பெயரை வைத்து உள்ளார்?  
Which Cricketer of India named her daughter as "India"?  
A) Viv Richards / விவ் ரிச்சர்ட்ஸ்  
B) Jhonty Rhodes/சாண்டி சோடர்ஸ்  
C) Jaysuria/ ஜெயசுரியா  
D) Gavaskar/ கவாஸ்கர்
- 144) Which is the first state in India to fix minimum educational qualification for Panchayat elections.  
இந்தியாவின் எந்த மாநிலம், பஞ்சாயத்து தேர்தலில் போட்டியிட குறைந்த பட்ச கல்வித் தகுதியை நிர்ணயம் செய்துள்ளது.  
A) Gujarat B) Maharashtra  
C) Kerala D) Rajasthan
- 145) ஒரு நகரத்தின் மக்கள்தொகை 5,13,200. இது வருடத்திற்கு 12% என்ற விகிதத்தில் உயர்ந்தால், மூன்று வருடங்களுக்கு பிறகு அந்நகரத்தின் மக்கள்தொகை என்னவாக இருக்கும்?  
The population of a city is 5,13,200. If it increases at the rate of 12% per annum, what will be its population after 3 years?  
A) 7,12,009 B) 7,10,029 C) 7,21,009 D) 7,92,100
- 146) Find the perimeter of the square that circumscribes a circle of radius 18 / 18 ஆரமுள்ள ஒரு வட்டத்தை உள்ளடக்கிய ஒரு சதுரத்தின் சுற்றளவைக் காண்க.  
a) 136 b) 140 c) 144 d) 156
- 147) 'A' does  $\frac{1}{4}$  th of the work in 5 days and B does  $\frac{2}{3}$  th of the work in '8' days. Then A and B together finish half of the work in how many days?  
'A'  $\frac{1}{4}$  பகுதி வேலையை 5 நாட்களில் முடிப்பார். 'B'  $\frac{2}{3}$  பகுதி வேலையை 8 நாட்களில் முடிப்பார் எனில் இருவரும் சேர்ந்து  $\frac{1}{2}$  பகுதி வேலையை எத்தனை நாட்களில் முடிப்பார்?  
a)  $3\frac{3}{4}$  நாட்கள் b)  $7\frac{1}{2}$  நாட்கள் c)  $3\frac{1}{2}$  நாட்கள் d) 7 நாட்கள்
- 148) 4 மீ நீளமும் 1.2 செ.மீ ஆரமும் உள்ள உருளைக் கம்பி 72 செ.மீ நீளமுள்ள கம்பியாக மாற்றப்படுகிறது. புதிய கம்பியின் ஆரம் என்ன? / A rod 4 m in length and 1.2 cm in radius is drawn into another rod of length 72 cm. Find the radius of the new rod  
A) 3 B)  $2\sqrt{2}$  C)  $3\sqrt{2}$  D) 4
- 149) Arrange the following Prime Ministers of India in the chronological order of their reign  
கீழ்க்கண்ட பிரதம மந்திரிகளை அவர்களின் ஆசிப்படி காலமுறைப்படி வரிசைப்படுத்துக  
I) K. Gujral II) H.D. Deve Gowda  
III) V.P. Singh IV) Chandra Shekar  
A) I, II, III, IV B) III, IV, II, I C) III, IV, I, II D) IV, III, I, II
- 150) பொருத்துக்/ match the following  
A) Greenpeace 1. Geneva  
B) WWF 2. Amsterdam  
C) IPCC 3. gland  
D) Amnesty International 4. London  
A) A-2 B-3 C-1 D-4  
B) A-4 B-3 C-1 D-2  
C) A-2 B-1 C-3 D-4  
D) A-4 B-1 C-3 D-2
- 151) The Preamble of the Indian Constitution adopted on 26<sup>th</sup> November, 1949 did not include the terms  
1. Socialist 2. Secular 3. Integrity 4. Republic  
நவம்பர் 26, 1949ம் தேதி முகப்புரையில் இல்லாத வார்த்தைகள்  
1. சோசியலிசம் 2. மதச்சார்பின்மை 3. ஒற்றுமை 4. குடியரசு  
A) 1, 2, and 3 B) 2, 3, and 4 C) 1, 2, and 4 C) 3 and 4

- 152) உத்திரமேரூர் கல்வெட்டுக்களை உருவாக்கியவர்  
a) முதலாம் ராஜராஜன் b) முதலாம் ராஜேந்திரன்  
c) முதலாம் குலோத்துங்கன் d) முதலாம் பராந்தகன்  
The Uttaramerur inscriptions were issued by  
a) Raja Raja I b) Rajendra I  
c) Kulothunga I d) Parantaka I
- 153) Quality Unit  
a) Velocity (திசைவேகம்) 1)  $[MLT^{-2}]$   
b) Force (விசை) 2)  $[LT^{-1}]$   
c) Work (வேலை) 3)  $[ML^2T^{-2}]$   
d) Momentum (உந்தம்) 4)  $[MLT^{-1}]$   
A) a-2 b-1 c-3 d-4 B) a-3 b-4 c-1 d-2  
C) a-2 b-1 c-4 d-3 D) a-4 b-3 c-2 d-1
- 154) Which one of the following is correctly matched?  
A) Baking soda - Sodium bicarbonate  
B) Caustic soda - Calcium carbonate  
C) Sodolime - Sodium carbonate  
D) Washing soda - Calcium hydroxide  
கீழ்க்கண்டவற்றுள் சரியாக பொருத்தப்பட்டுள்ளது எது?  
A) சமையல்சோடா - சோடியம் பை கார்பனேட்  
B) கால்சுடிக்(எரி) சோடா - கால்சியம் கார்பனேட்  
C) சோடாலைம் - சோடியம் கார்பனேட்  
D) சலவை சோடா - கால்சியம் ஹைட்ராக்சைடு
- 155) List - 1 List - 2  
a) Artery 1) Pure blood  
b) Vein 2) Oxygennated blood  
c) Pulmonary Artery 3) Deoxygenated blood  
d) Pulmonary Vein 4) Impure blood  
பட்டியல்-1 பட்டியல்-2  
a) தமனி 1) சுத்திகரிக்கப்பட்ட இரத்தம்  
b) சிரை 2) பிராணவாயு செறிவூட்டப்பட்ட இரத்தம்  
c) நுரையீரல் தமனி 3) பிராணவாயு இல்லாத இரத்தம்  
d) நுரையீரல் சிரை 4) அசுத்த இரத்தம்  
A) a-2 b-3 c-4 d-1 B) a-3 b-4 c-1 d-2  
C) a-4 b-1 c-2 d-3 D) a-1 b-2 c-3 d-4
- 156) Match the following:  
NATIONAL PARKS (தேசியப்பூங்காக்கள்)  
A) இராஜாஜி - 1) தமிழ்நாடு  
B) இந்திரா காந்தி - 2) உத்தரகாண்ட்  
C) பந்திப்பூர் - 3) கர்நாடகா  
D) டாச்சிகாமம் - 4) ஜம்மு & காஷ்மீர்  
A) A-1 B-2 C-3 D-4 B) A-2 B-1 C-4 D-3  
C) A-1 B-2 C-4 D-3 D) A-2 B-1 C-3 D-4
- 157) Match  
A) வேட்டக்குடி Vettangudi 1) Tiruvarur  
B) உதய மார்த்தாண்டபுரம் Udayamarthanda puram 2) Sivagangai  
C) கஞ்சிராங்குளம் Kanjirankulam 3) Kanjipuram  
D) கரிகிள்ளி Karikilli 4) Ramanathapuram  
A) A-2 B-3 C-4 D-1 B) A-2 B-1 C-4 D-3  
C) A-1 B-2 C-4 D-3 D) A-1 B-3 C-4 D-2
- 158) புவன் என்ற புதிய இணையதளம் அடிப்படையில் உருவாக்கப்பட்ட புவியின் வரைபடத்தை உருவாக்கியது  
Bhuvan' the new web based mapping of earth was developed by  
A) NASA B) ISRO C) Google D) Yahoo
- 159) சென்னை அரசு முதல் வகுப்புவாரி அரசு ஆணையை எப்பொழுது வெளியிட்டது? When did the Madras government issue the first communal G.O?  
A) 1920 B) 1921 C) 1922 D) 1927
- 160) Match the following :/ பொருத்துக்  
A. Pampas/ பம்பாஸ் 1. Argentina/ அர்ஜெண்டீனா  
B. Campos/ கேம்பஸ் 2. Australia/ ஆஸ்திரேலியா  
C. Prairies / ப்ரைஸ் 3. South Africa/ தென் ஆப்பிரிக்கா  
D. Veldt / வெல்ட் 4. North Africa / வட அமெரிக்கா  
E. Downs/ டவுன்ஸ் 5. Brazil/ பிரேசில்  
A) A-1, B-2, C-3, D-4, E-5 B) A-1, B-5, C-4, D-3, E-2  
C) A-5, B-4, C-3, D-2, E-1 D) A-2, B-3, C-5, D-4, E-1

161) Match the following / பொருத்துக:

Drugs / Chemicals	Their Uses
A) Atropine	1. Local Anaesthesia
B) Ether	2. Heart Trouble
C) Nitroglycerine	3. Dilation of Pupil
D) Pyrethrin	4. Mosquito Control

LIST - I

LIST - II

- |                       |                       |
|-----------------------|-----------------------|
| A) அட்ரோபைன்          | 1. உணர்வகற்றி         |
| B) ஈத்தர்             | 2. இருதயத் தொல்லை     |
| C) நைட்ரோகிளிசரின்    | 3. கண்மணி விரிவடைதல்  |
| D) பைரெத்ரின்         | 4. கொசு கட்டுப்பாடு   |
| a) A-3, B-1, C-4, D-2 | b) A-1, B-2, C-3, D-4 |
| c) A-3, B-1, C-2, D-4 | d) A-4, B-3, C-2, D-1 |

162) Match the following / பொருத்துக:

LIST - I	LIST - II
A) Bajra	1. Rust
B) Wheat	2. Wilt
C) Groundnut	3. Tikka
D) Banana	4. Ergot
பட்டியல் - 1	பட்டியல் - 2
A) கம்பு	1. துருப்பூஞ்சை
B) கோதுமை	2. வாடல் நோய்
C) நிலக்கடலை	3. டிக்கா
D) வாழை	4. ஏர்காட்
Codes:	
a) A-2, B-3, C-1, D-4	b) A-1, B-2, C-3, D-4
c) A-4, B-1, C-3, D-2	d) A-3, B-4, C-2, D-1

163) Assertion (A): In a pressure cooker, food is cooked above boiling point

Reason (R): Boiling point of water decreases as the pressure increases.

உறுதி (A): பிரஷர் குக்கரில் உணவு கொதிநிலைக்கு மேல் சமைக்கப்படுகிறது.

காரணம் (R): அழுத்தம் அதிகமாவதால் நீரின் கொதிநிலை குறைகிறது.

164) CHAIRPERSON

NAME

A) 20 <sup>th</sup> Law commission	1) Y.V. Reddy
B) 13 <sup>th</sup> Finance Commission	2) A.K. Mathur
C) 14 <sup>th</sup> Finance Commission	3) A.P. Shah
D) 7 <sup>th</sup> Pay Commission	4) Vijay L Kelkar
தலைவர்	பெயர்
A) 20 வது சட்டக் கமிஷன்	1) Y.V. ரெட்டி
B) 13 வது நிதிக் குழு	2) P.V. மாதூர்
C) 14 வது நிதிக் குழு	3) A.P. ஷா
D) 7 வது சம்பளக் குழு	4) விஜய் கேல்கர்
A) A-4 B-3 C-1 D-2	B) A-4 B-3 C-2 D-1
C) A-3 B-4 C-2 D-1	D) A-3 B-4 C-1 D-2

165) இந்திய அரசியலமைப்பின் எந்த பிரிவு கிராம பஞ்சாயத்துக்களை அமைத்துக்கொள்ள வகை செய்துள்ளது

- A) பிரிவு 15 B) பிரிவு 25 C) பிரிவு 243 D) பிரிவு 42

Which Article of the Constitution of India gives provision to set up village panchayats?

- A) Article 15 B) Article 25  
C) Article 243 D) Article 42

166) வென்சுரி மீட்டர் கீழ்க்காணும் எந்த ஒன்றை அளவிட பயன்படுகிறது?

- A) திரவத்தின் வேகம்  
B) திரவத்தின் பரப்பு இழுவிசை  
C) திரவத்தின் வெப்பநிலை  
D) திரவத்தின் அடர்த்தி
- Venturimeter is used to measure
- A) fluid velocity B) fluid surface tension  
C) fluid temperature D) fluid density

167) கால வரிசைப்படுத்துக:

- A) வெள்ளையனே வெளியேறு இயக்கம், ஒத்துழையாமை இயக்கம், கிலாபாத் இயக்கம், சட்ட மறுப்பு இயக்கம்  
B) சட்ட மறுப்பு இயக்கம், கிலாபாத் இயக்கம், வெள்ளையனே வெளியேறு இயக்கம், ஒத்துழையாமை இயக்கம்  
C) கிலாபாத் இயக்கம், ஒத்துழையாமை இயக்கம், சட்டமறுப்பு இயக்கம், வெள்ளையனே வெளியேறு இயக்கம்  
D) ஒத்துழையாமை இயக்கம், வெள்ளையனே வெளியேறு இயக்கம், கிலாபாத் இயக்கம், சட்டமறுப்பு இயக்கம்

Identify the correct order in which they occurred in India:

- A) Quit India movement, Non-cooperation movement, Khilafat movement, Civil disobedience movement  
B) Civil disobedience movement, Khilafat movement, Quit India movement, Non-cooperation movement  
C) Khilafat movement, Non-cooperation movement, Civil disobedience movement, Quit India movement  
D) Non-cooperation movement, Quit India movement, Khilafat movement, Civil disobedience movement

168) Match the following: / பொருத்துக:

A) South China Sea	1) Cyclone
B) Arafura Sea	2) Tornado
C) Gulf of Mexico	3) Typhoon
D) Bay of Bengal	4) Willy-Willy
A) தென் சீனக்கடல்	1) டயல்
B) ஆராபுரா கடல்	2) டொர்னடோ
C) மெக்ஸிகோ வளைகுடா	3) டைபூன்
D) வங்காள விரிகுடா	4) வில்லி-வில்லி

- Codes:  
a) A-1, B-4, C-3, D-2 b) A-4, B-1, C-2, D-3  
c) A-3, B-4, C-2, D-1 d) A-3, B-2, C-4, D-1

169) பட்டியல் I ஐ பட்டியல் II உடன் பொருத்தி, கீழே கொடுக்கப்பட்டுள்ள குறியீடுகளைக் கொண்டு சரியான விடையைத் தேர்ந்தெடு:

பட்டியல் I	பட்டியல் II
a) அக்வா கல்சர்	1) சில்க்
b) ப்ளோரி கல்சர்	2) கிரேப்ஸ்
c) செரி கல்சர்	3) பூக்கள்
d) விட்டி கல்சர்	4) மீன்

Match List I with List II correctly and select your answer using the codes given below:

List I	List II
a) Aqua Culture	1) Silk
b) Floriculture	2) Grapes
c) Sericulture	3) Flower
d) Viticulture	4) Fish

குறியீடுகள்: / codes:

- A) a-1, b-2, c-3, d-4 B) a-3, b-2, c-1, d-4  
C) a-4, b-1, c-3, d-2 D) a-4, b-3, c-1, d-2

170) கீழ்க்கண்ட வாக்கியங்களைக் கவனி:

கூற்று (A): ஒரு அமைச்சர் மீது நம்பிக்கையில்லா தீர்மானம் நிறைவேற்றினால் அனைத்து அமைச்சர்களும் பதவி விலக வேண்டும்.

காரணம் (R): அந்த அமைச்சர் மட்டும் பதவி விலக வேண்டும்.

கீழே குறிப்பிட்டுள்ள குறியீட்டில் சரியான விடையைத் தேர்ந்தெடு:

Consider the following statements:

Assertion (A): If no-confidence motion is passed against a minister then all minister should resign.

Reason (R): Only the concerned minister resigns.

Now select your answer according to the coding scheme given below:

- A) Both (A) and (R) are true and (R) is the correct explanation of (A) / (A) மற்றும் (R) இரண்டும் சரி; (R) என்பது (A) விற்கு சரியான விளக்கம்  
B) Both (A) and (R) are true and (R) is not the correct explanation of (A) / (A) மற்றும் (R) இரண்டும் சரி; (R) என்பது (A) விற்கு சரியான விளக்கம் அல்ல  
C) (A) is true but (R) is false / (A) சரி; ஆனால் (R) தவறு  
D) (A) is false but (R) is true / (A) தவறு; ஆனால் (R) சரி

171) மின்னாற் பகுத்தல் விதியை கண்டுபிடித்தவர்

- A) ஆஸ்ட்வால்டு B) ஃபாரடே  
C) அர்கினியஸ் D) லூயிஸ்
- The laws of electrolysis are given by  
A) Oswald B) Faraday  
C) Arrhenius D) Lewis

172) நிலச்சீர்திருத்தங்கள் கீழ்க்கண்ட எதை உட்கொண்டிருக்கவில்லை?

- A) இடைத்தரகர்களை ஒழித்தல்  
B) நில உடைமைகளை ஒருங்கிணைத்தல்  
C) கூட்டுறவு விவசாயம்  
D) விவசாயிகளுக்கு வீட்டுக்கடன் அளித்தல்



The scope of land reforms does not include

- A) abolition of intermediaries  
B) consolidation of land holdings  
C) cooperative farming  
D) housing loans to farmers

173) பாலிகார்பிக் தாவரத்திற்கு உதாரணமாக இதனை கூறலாம்  
A) பட்டாணி B) மா C) மூங்கில் D) துவரை

An example of Polycarpic Plant is

- A) Pea B) Mango  
C) Bamboo D) Pigeon Pea

174) குதிக்கும் ஜீன்கள் அல்லது டிரான்ஸ்போசான்களின் கண்டுபிடிப்புக்கு கீழ்காணும் எந்த அறிஞருக்கு / (அறிஞர்களுக்கு) நோபல் பரிசு கிடைத்தது?

- A) ஜேகப் மற்றும் மோனாடு B) பீடல் மற்றும் டாட்டம்  
C) ஹர்கோபிந்து கோராணா D) பார்பரா மக்ளின்டாக்

Who among the following scientists got the Nobel prize for discovering the concept of jumping genes (or) transposons?

- A) Jacob and Monad B) Beadle and Tatum  
C) Hargobind Khorana D) Barbara McClintock

175) இந்தியா எந்த ஒரு அண்டை நாட்டுடன் அதிகமான நில எல்லையை பங்கு கொள்கிறது?

- A) பாகிஸ்தான் B) நேபாளம்  
C) சீனா D) பங்களாதேஷ்

To Which neighbouring country does India share the longest land border?

- A) Pakistan B) Nepal  
C) China D) Bangladesh

176) நிலையில்லாத் தன்மை கொள்கையை அளித்தவர்

- A) டீபிராக்லி B) மேக்ஸ்வெல்  
C) தாம்சன் D) ஹெய்சன்பெர்க்

The uncertainty principle was proposed by

- A) de Broglie B) Maxwell  
C) Thomson D) Heisenberg

177) சென்னைக்கு குடிநீர் கொண்டு வர பூண்டி நீர் தேக்கத்தை திட்டமிட்டவர்

- A) சத்தியமூர்த்தி ஐயர் B) நடேச முதலியார்  
C) ராமசாமி ரெட்டியார் D) P.S.குமாரசாமி

Poondi Reservoir was planned to provide water to Madras by

- A) Sathyamoorthy Iyer B) Nadesa Mudaliar  
C) Ramasamy Reddiar D) P.S.Kumarasamy

178) காந்தியடிகளுக்கு மகாத்மா என்ற பட்டத்தை வழங்கியவர்?

- A) ஜவஹர்லால் நேரு B) மோதிலால் நேரு  
C) இரவீந்திரநாத் தாகூர் D) சுபாஷ் சந்திர போஸ்

.....gave the title 'Mahatma' to Gandhiji

- A) Jawaharlal Nehru B) Motilal Nehru  
C) Rabindranath Tagore D) Subash Chandra Bose

179) தென்னிந்திய புரட்சியின்போது திண்டுக்கல் கூட்டிணைவு ஏற்படுத்தப்பட்ட ஆண்டு

'Dindugal Federation' was formed during the South Indian Rebellion in the year

- A) 1800 B) 1801  
C) 1802 D) 1803

180) மூச்சுக்காற்றில் இருக்கும் சாராயத்தை கண்டறிய பயன்படும் பொருள்

- A) MnO<sub>2</sub> (மேங்கனீஸ் டை ஆக்ஸைடு)  
B) KMnO<sub>4</sub> (பொட்டாசியம் பெர்மாங்கனேட்)  
C) K<sub>2</sub>Cr<sub>2</sub>O<sub>7</sub> (பொட்டாசியம் டைக்குரோமேட்)  
D) KNO<sub>3</sub> (பொட்டாசியம் நைட்ரேட்)

The oxidant used in the testing of alcohol in breath is

- A) MnO<sub>2</sub> B) KMnO<sub>4</sub> C) K<sub>2</sub>Cr<sub>2</sub>O<sub>7</sub> D) KNO<sub>3</sub>

181) கீழே கூறப்பட்டுள்ளவற்றில் இந்திய அரசியலமைப்பு சட்டத்தின் எந்த பிரிவு பாராளுமன்றம் புதியதாக அகில இந்திய அரசுப்பணியை உருவாக்க வகை செய்கிறது?

- A) பிரிவு 303 B) பிரிவு 307  
C) பிரிவு 309 D) பிரிவு 312

Which one of the following Articles of the Constitution of India authorizes the Parliament to create new All-India Service?

- A) Article 303 B) Article 307  
C) Article 309 D) Article 312

182) பைரோலுசைட் பின்வருவனவற்றுள் எந்த உலோகத்தின்

தாதுப்பொருள் / Pyrolusite is the mineral of

- A) மென்டலேவியம்/Mendelevium  
B) மாலிப்டினம்/Molybdenum  
C) மக்னீசியம் /Magnesium  
D) மாங்கனீசு/Manganese

183) "செலவிட இயன்ற வருமானம்" என்றால் என்ன?

- A) தனிநபர் வருமானம் மான்யம் நீங்கலாக  
B) வரி செலவு போக உள்ள நிகர வருமானம்

- C) தனிநபர் வருமானம் மாற்று செலவு நீங்கலாக  
D) தேசிய வருமானம் தேய்மானம் நீங்கலாக

Disposable income is equal to

- A) personal income minus subsidies  
B) personal income minus taxes  
C) personal income minus transfer payment  
D) national income minus depreciation

184) சத்தியேந்திர சின்ஹா வைஸ்ராயின் ஆட்சிமன்ற குழு உறுப்பினராக நியமிக்கப்பட்ட ஆண்டு எது?

In which year was Satyendra Sinha appointed as a member of Viceroy Executive Council?

- A) 1892 B) 1909 C) 1919 D) 1935

185) மெட்ராஸ் மாகாணத்திற்கு தமிழ்நாடு என்று பெயர் சூட்ட கோரி உண்ணாவிரதம்(1956) இருந்து உயிர் நீத்தவர் /Who is died of fasting about Madras presidency to change the Name of Tamilnadu in 1956.

- A) சங்கரலிங்கனார் / Sangaralinganar  
B) ராமலிங்கனார்/Ramalinganar  
C) தமிழரசன் / Tamilarasan  
D) தமிழ்ஒளி / Tamilozhi

186) The Ancient Monuments Preservation Act was passed in the year .....தொல்பொருள் பராமரிக்கும் சட்டம்.....ஆண்டு கொண்டு வரப்பட்டது.

- a) 1900 b) 1902 c) 1904 d) 1907

187) The Chairman of National commission on Education in 1964 was

- a) D.S. Kothari b) Zahir Hussain  
c) Chattopadhyaya d) Dr. Radhakrishnan  
1964இல் அமைக்கப்பட்ட தேசிய கல்விக்குழுவின தலைவர்  
a) டி.எஸ்.கோத்தாரி b) ஜாகிர் ஹுசைன்  
c) சட்டோபாத்யாயா d) டாக்டர் இராதாகிருஷ்ணன்

188) The Ryotwari settlement in Tamil Nadu was executed by

- a) Thomas Munroe b) Robert Clive  
c) Wellesley d) Bentinck

தமிழ்நாட்டில் இரயத்துவாரி முறை ..... ஆல் நடைமுறைப்படுத்தப்பட்டது

- a) தாமஸ் மன்றோ b) இராபர்ட் கிளைவ்  
c) வெல்லெஸ்லி d) பென்டிங்

189) In which year was Simla Agreement signed?

- a) 1972 AD b) 1966 AD c) 1971 AD d) 1975 AD

சிம்லா ஒப்பந்தம் எந்த ஆண்டு கையெழுத்தாகியது?

- a) கி.பி.1972 b) கி.பி.1966 c) கி.பி.1971 d) கி.பி.1975

190) Which of the following States has no Panchayati Raj Institution at all? /கீழ்க்கண்டவற்றில் பஞ்சாயத்து ராஜ்ஜியம் இல்லாத மாநிலம் எது?

- a) Assam b) Kerala c) Tripura d) Nagaland  
a) அசாம் b) கேரளா c) திரிபுரா d) நாகலாந்து

191) Galvanometer can be converted into a voltmeter by using

- a) a low resistance in series  
b) a high resistance in series  
c) a low resistance in parallel  
d) a high resistance in parallel

ஒரு கால்வனா மீட்டரை ஒல்ட் மீட்டராக மாற்றுவதற்கு

- a) ஒரு குறைந்த மின்தடையை தொடர் இணைப்பில் இணைக்க வேண்டும்  
b) ஒரு உயர் மின்தடையை தொடர் இணைப்பில் இணைக்க வேண்டும்  
c) ஒரு குறைந்த மின்தடையை பக்க இணைப்பில் இணைக்க வேண்டும்  
d) ஒரு உயர் மின்தடையை பக்க இணைப்பில் இணைக்க வேண்டும்



- 192) Four electromagnetic waves of different wave lengths are given. (X-rays, Microwaves, Ultraviolet, Infrared). Their correct arrangement in the descending order of wave length is  
a) X-rays, Ultraviolet, Infrared and Microwaves  
b) Microwaves, Infrared, Ultraviolet and X-rays  
c) Ultraviolet, Infrared, X-rays and Microwaves  
d) Microwaves, X-rays, Infrared and Ultraviolet
- நான்கு வெவ்வேறு அலைநீளங்கள் கொண்ட மின்காந்த அலைகள் கொடுக்கப்பட்டுள்ளன. X-கதிர்கள், மைக்ரோ அலைகள், புற ஊதா, புறச்சிவப்பு - அவைகளின் அலை நீளங்கள் இறங்கு வரிசையில்  
a) X-கதிர்கள், புற ஊதா, புறச் சிவப்பு, மைக்ரோ அலைகள்  
b) மைக்ரோ அலைகள், புறச் சிவப்பு, புற ஊதா, X-கதிர்கள்  
c) புற ஊதா, புறச் சிவப்பு, X-கதிர்கள், மைக்ரோ அலைகள்  
d) மைக்ரோ அலைகள், X-கதிர்கள், புறச் சிவப்பு, புற ஊதா
- 193) Match List I correctly with list II and select your answer using the codes given below / பட்டியல் I ஐ பட்டியல் II உடன் பொருத்தி, கீழே குறிப்பட்டுள்ள குறியீடுகளைக் கொண்டு சரியான பதிலை தேர்ந்தெடுக்கவும்
- | List - I                                 | List - II             |
|--|-----------------------|
| A) Steel Industry / எஃகு தொழிற்சாலை      | 1. Aiyalar            |
| B) Sugar Industry/ சர்க்கரை தொழிற்சாலை   | 2. Pugalur            |
| C) Paper Industry / காகித தொழிற்சாலை     | 3. Mohanur            |
| D) Cement Industry / சிமெண்ட் தொழிற்சாலை | 4. Salem              |
| a) A-4, B-3, C-2, D-1                    | b) A-3, B-2, C-1, D-4 |
| c) A-1, B-4, C-3, D-2                    | d) A-2, B-1, C-4, D-3 |
- 194) Match the following
- |                       |                       |
|-----------------------|-----------------------|
| Birth day             | person                |
| a) September 15       | 1. Kamarajar          |
| b) September 17       | 2. V.O.C.             |
| c) July 15            | 3. Annadurai          |
| d) September 5        | 4. Periyar            |
| a) A-3, B-4, C-1, D-2 | b) A-3, B-4, C-2, D-1 |
| c) A-4, B-3, C-2, D-1 | d) A-4, B-3, C-1, D-2 |
- 195) The resistance of a wire that must be placed parallel with a 12Ω resistance to obtain a combined resistance of 4Ω is/எத்தனை மின்தடை உள்ள கம்பியை 12 ஓம் மின்தடை உள்ள கம்பியுடன் பக்க வாட்டில் இணைத்தால் 4 ஓம் மின் தடை முடிவில் கிடைக்கும்  
a) 2 Ω b) 4 Ω c) 6 Ω d) 8 Ω
- 196) Bhilai Iron and steel industry is constructed with help of /பிலாய் எஃகு ஆலை எந்த நாட்டு உதவியுடன் நிறுவப்பட்டது.  
a) Russia b) West Germany c) UK d) France
- 197) List-I (Name of the Constitution) List - II (Created under )  
A. The Finance Commission 1. Article 280  
B. The Commission for Backward Classes 2. Article 340  
C. The Election Commissioner 3. Article 324  
D. The Official Language 4. Article 344  
a) A-1 B-4 C-3 D-2 b) A-3 B-2 C-1 D-4  
c) A-1 B-2 C-3 D-4 d) A-3 B-4 C-1 D-2
- 198) In which year Kamarajar presided Indian National Congress?காமராஜர் எந்த ஆண்டு இந்திய தேசிய மாநாட்டில் தலைமை தாங்கினார்.  
a) 1962 b) 1953 c) 1964 d) 1955
- 199) Who founded the Christian medical college in 1901 at Vellore? /வேலூரில் 1901'ல் கிறிஸ்துவ மருத்துவக் கல்லூரியை நிறுவியவர்  
a) Madam Cama/மேடம் காமா b) B.C.Roy/ B.C.ராய்  
c) Ida Scudder/ஜடா ஸ்கடர் d) Robert Knieg/ ராபர்ட் கனிசு
- 200) 'லைஃப் டிவின்' என்ற புத்தகத்தை எழுதியவர் / Who wrote "Life Divine"  
a) அரவிந்தோ கோஸ் b) சுவாமி விவேகானந்தர்  
c) டாக்டர் இராதாகிருஷ்ணன் d) மகாத்மா காந்தி  
a) Aurobindo Ghosh b) Swami Vivekanda  
c) Dr. RathaKrishnan d) Gandhi

**EXTRA QUESTIONS.**

- 1) ஒரு பெண் சனி, ஞாயிற்றுக்கிழமைகளைச் சேர்க்காமல் தன் வயது 25 என்கிறார். அவருடைய உண்மையான வயது என்ன? A woman says that her age is 25, excluding Saturdays and Sundays. What is her real age?  
A) 30 B) 35 C) 32 D) 37
- 2)  $2, 2\frac{2}{3}, 3\frac{1}{3}, 4, \dots$  என்ற கூட்டுத் தொடரில் 19வது உருப்பு என்ன? In the above arithmetic Progression, what is the 19<sup>th</sup> term?  
A) 12 B) 12 2/3 C) 14 1/3 D) 14
- 3) Which of the following is not a perfect square? கீழ்க்கண்டவற்றுள் எது வர்க்கமல்ல?  
A) 61544025 B) 62346816  
C) 60481728 D) 73393489
- 4) The length of the longest rod that can be placed in a room which is 12m long, 9m broad and 8m high is / ஒரு அறையின் நீளம் 12மீ, அகலம் 9 மீ, மற்றும் உயரம் 8மீ எனில் அந்த அறையில் வைக்கப்படக்கூடிய நீளமான கம்பியின் நீளம்  
a) 27m b) 19m  
c) 17m d) 13m
- 5) கீழ்க்கண்டவற்றுள் 'தூர்யோதயம்' பத்திரிக்கையின் ஆசிரியர் யார்?  
A) சுப்ரமணிய சிவா B) திரு. வி.க.  
C) நீலகண்ட பிரம்மாச்சாரி D) வி.வி.எஸ்.ஐயர்  
Who among the following was the editor of 'Suryodayam'?  
A) Subramaniya Siva B) Thiru.Vi.Ka.  
C) Neelakanta Brahmachary D) V.V.S.Iyer
- 6) உதயகிரி கோட்டை அமைந்துள்ள இடம்  
A) கன்னியாகுமரி B) திருநெல்வேலி  
C) இராமநாதபுரம் D) சிவகங்கை  
Udayagiri fort is located in  
A) Kanyakumari B) Tirunelveli  
C) Ramanad D) Sivaganga
- 7) கீழ்க்கண்டவற்றுள் டெல்லி ஒப்பந்தம் என்று அழைக்கப்படுவது எது?  
A) லக்னோ ஒப்பந்தம் B) பூனா ஒப்பந்தம்  
C) காந்தி இர்வின் ஒப்பந்தம் D) இனக்கொடை  
Which among the following was also known as Delhi pact?  
A) Lucknow pact B) Poona pact  
C) Gandhi-Irwin pact D) Communal award
- 8) செனரி-செனரா சம்பவத்திற்கு பிறகு எந்த ஆண்டு ஒத்துழையாமை இயக்கத்தை மகாத்மா காந்தி தற்காலிகமாக நிறுத்தி வைத்தார்  
Mahtama Gandhi suspended the Non -co-operation movement due to Chauri Chura incident in the Year  
A) 1920 B) 1921 C) 1922 D) 1923
- 9) 1 kB நினைவு என்பது  
A) 1000 பைட்ஸ் B) 2<sup>10</sup> பைட்ஸ்  
C) 10<sup>6</sup> பைட்ஸ் D) 10<sup>4</sup> பைட்ஸ்  
1 KB memory is  
A) 1000 Bytes B) 2<sup>10</sup> Bytes  
C) 10<sup>6</sup> Bytes D) 10<sup>4</sup> Bytes
- 10) கணினி சொந்தொடர்பான தவறான விரிவாக்கத்தை தேர்வு செய்க  
Choose the Wrong computer Acronyms Archive  
A) DBMS- Data Base Management System  
B) JPEG - Java Photographic Experts Group  
C) BIOS - Basic Input/output system  
D) TIFF - Tagged Image File Format
- 11) Chennai High Court started its Madurai branch in the year / சென்னை உயர்நீதிமன்றத்தின் மதுரைக்கிளை தொடங்கப்பட்ட ஆண்டு  
a) 2001 b) 2002 c) 2003 d) 2004

இப்படை தோற்கின் எப்படை வெல்லும் ?

ALWAYS AIM TO TOP IN ANY EXAM.

Rajaboopathy R

ALL THE VER BEST

- 12) Who was known as "Andhra Bhoja"?
- a) Devaraya I                      b) Devaraya II  
c) Krishnadevaraya                d) Bukka  
"ஆந்திர போஜா" என கருதப்படுபவர் யார்?  
a) தேவராயர் I                      b) தேவராயர் II  
c) கிருஷ்ணதேவராயர்        d) புகர்
- 13) Who among the following computed National income on the basis of scientific method?
- a) Prof. Mahalanobis                b) Dr.K.N.Raj  
c) Dr.V.K.R.V.Rao                    d) Dr.Vakil
- 14) Tamil Nadu Panchayat act passed in the year
- a) 1994                                  b) 1992                                  c) 1993                                  d) 1995
- 15) தமிழ்நாட்டின் மொத்த நிலப்பரப்பு
- A) 1,30,955 சதுர கி.மீ B) 1,30,058 சதுர கி.மீ  
C) 1,28,055 சதுர கி.மீ D) 1,40,033 சதுர கி.மீ  
Total geographical area of Tamil Nadu is  
A) 1, 30, 955 sq.km                    B) 1, 30, 058 sq.km  
C) 1, 28, 055 sq. km                    D) 1, 40, 033 sq.km
- 16) பட்டியல் I ஐ பட்டியல் II உடன் பொருத்தி, கீழே கொடுக்கப்பட்டுள்ள குறியீடுகளைக் கொண்டு சரியான விடையைத் தேர்ந்தெடு:
- |                                  |                    |
|----------------------------------|--------------------|
| பட்டியல் I                       | பட்டியல் II        |
| a) TIFR                          | 1) திருவனந்தபுரம்  |
| b) விண்வெளி இயற்பிய ஆய்வுக்கூடம் | 2) பெங்களூரு       |
| c) SHAR நிலையம்                  | 3) மும்பை          |
| d) ISROவிண்வெளி கோள் நிலையம்     | 4) ஸ்ரீஹரிக்கோட்டா |
- Match List I with List II correctly and select your answer using the codes given below:
- |                             |                       |
|-----------------------------|-----------------------|
| List I                      | List II               |
| a) TIFR                     | 1) Thiruvananthapuram |
| b) Space Physics Laboratory | 2) Bengaluru          |
| c) SHAR centre              | 3) Mumbai             |
| d) ISRO satellite centre    | 4) Sriharikota        |
- குறியீடுகள்: Codes:
- |                       |                       |
|-----------------------|-----------------------|
| A) a-3, b-1, c-4, d-2 | B) a-1, b-2, c-3, d-4 |
| C) a-4, b-2, c-1, d-3 | D) a-2, b-3, c-4, d-1 |
- 17) தமிழ்நாடு மாநில பறவை பெயர் யாது?
- A) மயில்                                  B) மரகதப்புறா  
C) கிளி                                    D) குயில்  
Which is the name of Tamilnadu State bird?  
A) Peacock                              B) Emerald Dove  
C) Parrot                                 D) Kuyil
- 18) காசநோய்க்கு தடுப்பு மருந்தினை கண்டுபிடித்தவர்
- A) ஆல்பர்ட் கல்மெட்டி                B) பால் எர்லிச்  
C) ராபர்ட் கோச்                        D) லூயிஸ் பாஸ்டர்  
Tuberculosis immunization was developed by  
A) Albert Calmette                      B) Paul Ehrlich  
C) Robert Koch                         D) Louis Paseur

இப்படை தோற்கின் எப்படை வெல்லும் ?

ALWAYS AIM TO TOP IN ANY EXAM.

*Rajaboopathy R*

ALL THE VER BEST

## NEW EXCLUSIVE GROUP-1 BATCHES at CHENNAI & MADURAI

ATTEND ANY ONE DAY CLASS FREE at  
INSTITUTE (or) ONLINE.

(1) MORN Batch from Aug.3rd 2015(3 Days a Week  
10AM-1PM)Mon,Wed&Fridays.

(2) EVEN Batch from Aug.3rd 2015(4 Days a Week  
6:45PM-8:45PM)Mon,Tue,Thu&Fridays.

(3) WEEK-END Batch from Aug.1st 2015(Sat:3PM-6PM  
& Sundays:10AM-5PM)

(4) MATHS Batch from Aug.4th 2015 Every Sunday  
10AM-1PM.

(5) GROUP-1 TEST BATCH with DETAILED  
SOLUTION & DISCUSSION from Aug.11th Every  
Sundays 4PM.

Visit our Website for All other Batches.

## RADIANT IAS ACADEMY

CHENNAI : 711 PH Road, Opp.Anna Arch,  
(Near Anna Nagar), Near SKYWALK,  
NSK Nagar, Arumbakkam, Chennai-106.  
Ph: 98404-00825 / 98403-98093 .

E-Mail : r.rajaboopathy@gmail.com

MADURAI : 165 NORTH VELI St,  
Near and Opp. Dist Central Library,  
SIMMAKKAL, MADURAI-625 001.

Ph: 98404-33955 / 98429-83068 .

E-Mail : r.rajaboopathy@gmail.com

www.radiannews.pbworks.com

www.radianiasacademy.org